



Code 109531

Original Instructions

Portable Trim Router Table



INDEX

Copyright	02
1. Contents	02-03
2. Assembly	04-05
3. Fitting the Trim Router	06
4. Tips / General Use	07
5. Exploded Diagram	07-08

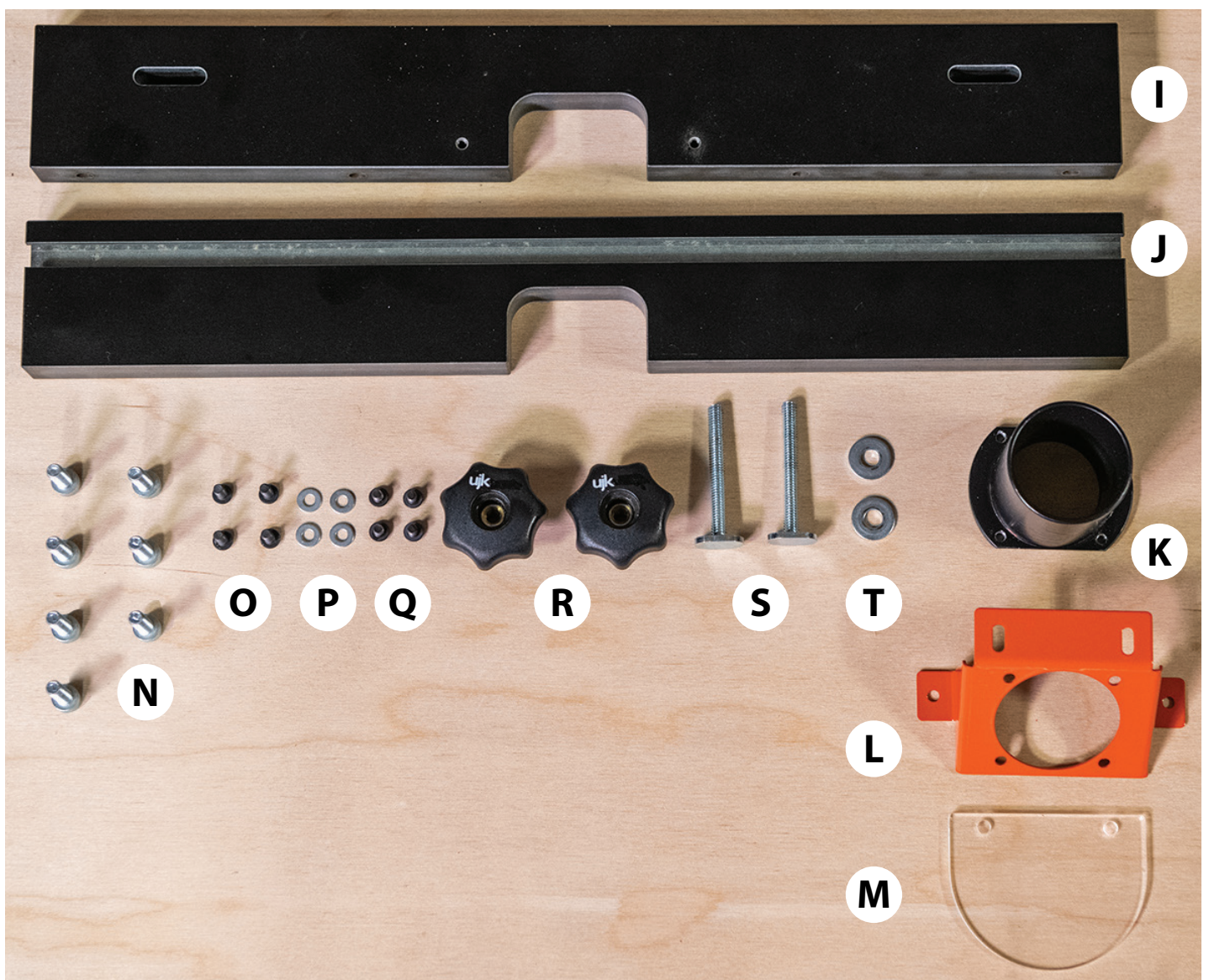
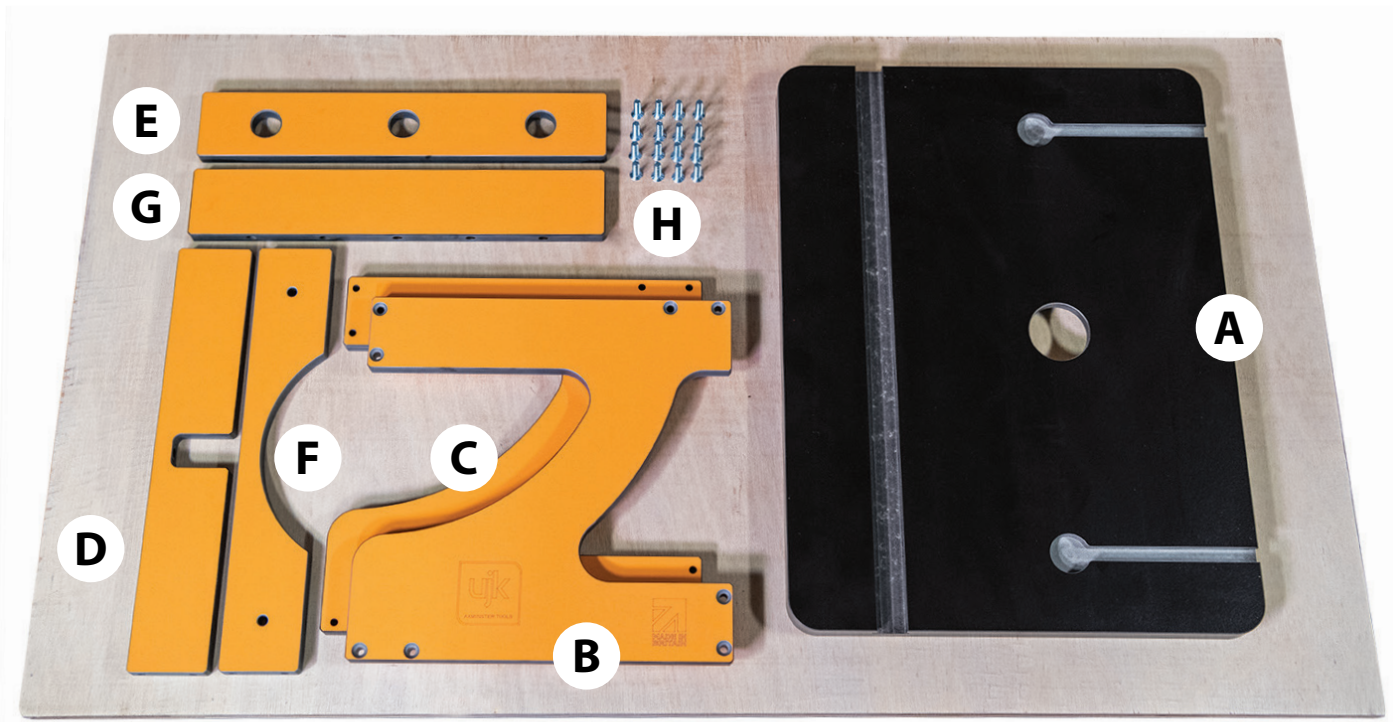
COPYRIGHT



All copyright, design rights and Intellectual property rights in our designs and products are, and will remain, the property of Axminster Tool Centre Ltd. We treat any infringements of these rights seriously. Axminster Tool Centre Ltd is a member of ACID.

1. CONTENTS

Table Top	A	Extraction Outlet	K
Side Panel R/H	B	Extraction Bracket	L
Side Panel L/H	C	Acrylic Guard	M
Front Top Rail	D	M6 x 20 Caphead Screw x 7	N
Front Bottom Rail	E	M4 x 10 Button Screws x 4	O
Rear Top Rail	F	M4 Washers	P
Rear Bottom Rail	G	M4 x 6 Button Screws x 4	Q
M5 x 20 Pozi Countersink Screws x 16	H	M6 Star Knobs	R
Horizontal Fence	I	M6 x 50 'T' Bolt x 2	S
Vertical Fence	J	M6 Washers x 2	T



2. ASSEMBLY



DO NOT USE A CORDLESS DRILL FOR ASSEMBLY - HAND SCREWDRIVER/ HEX KEYS ONLY. IT IS RECOMMENDED TO LIGHTLY TIGHTEN ALL SCREWS, ENSURE ALL IS ALIGNED THEN TIGHTEN SCREWS FULLY.

Router Table Frame

1. Firstly loosely attach the 4 rails to one of the frame sides using the 16 x M5 countersunk Pozi screws as shown, see fig 01, ensure that the UJK logo is the right way up and on the outside, see fig 02. Then attach the other frame side, this is best done on a flat surface to ensure that all stays flat, aligned and level, see fig 03.

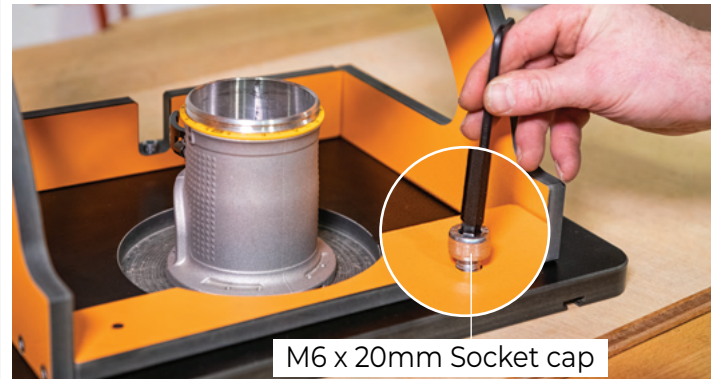
2. Before attaching the router table top to the frame it is recommended to mark & drill the holes for mounting the trim router - **see section 3.**

3. With the table top upside down on a flat surface attach the frame to the top using the 3 x M6 x 20mm socket cap screws, see fig 04.

Fig 01-02



Fig 03-04



Fence, Extraction outlet & Guard

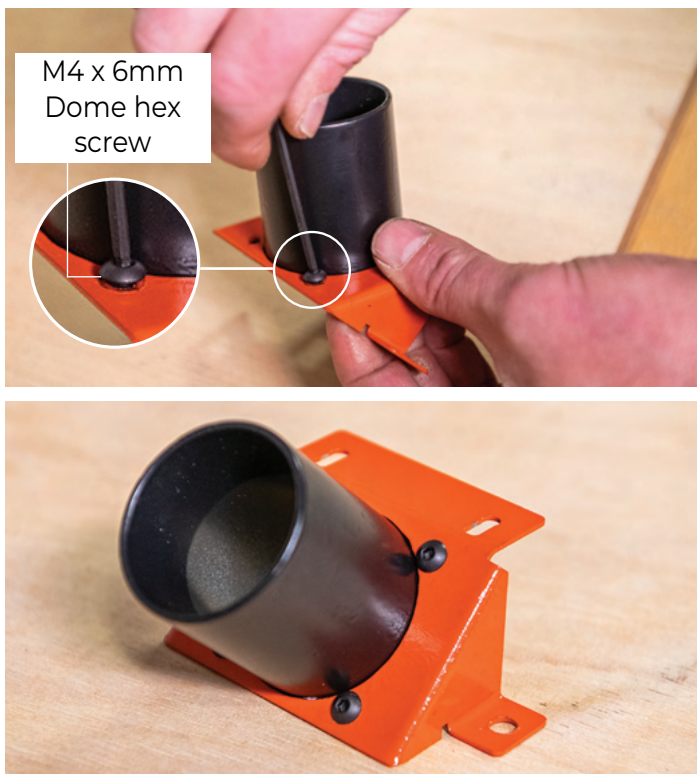
1. Join the horizontal & vertical fence components together using the 4 x M6 X 20mm socket cap screws, this is best done on a flat surface to ensure that the underside of both fence components are level. Ensure also that the edges and central cutouts are aligned and the small screw holes are uppermost, see fig 05-06.

Fig 05-06



2. Join the orange extraction bracket & the black extraction nozzle together using 4 x M4 x 6mm domed hex head screws, see fig 07-08.

Fig 07-08



3. Connect the extraction outlet the fence using the 4 x M4 x 10mm dome hex head screws and washers, before inserting the 2 upper screws, position the clear guard in place, see fig 09-10.

Fig 09-10

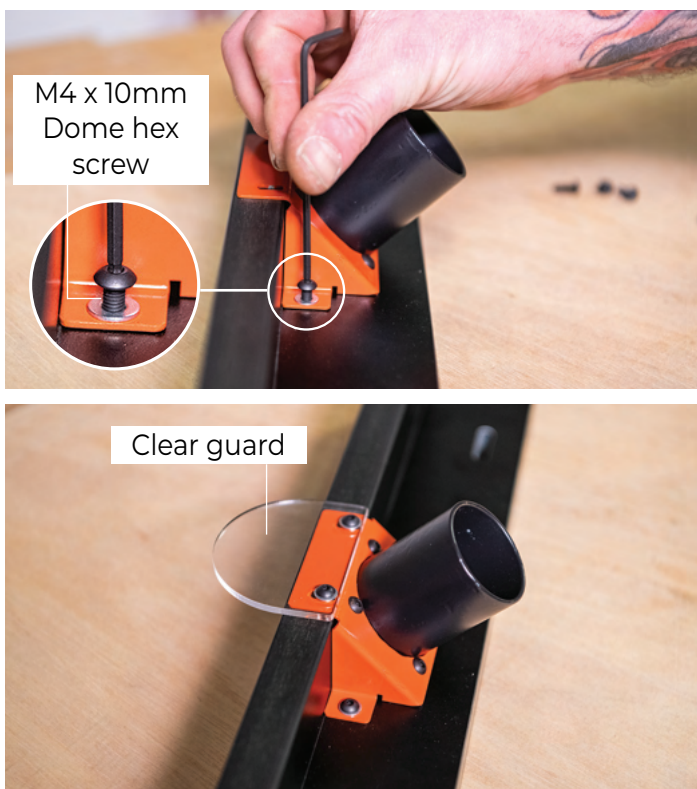
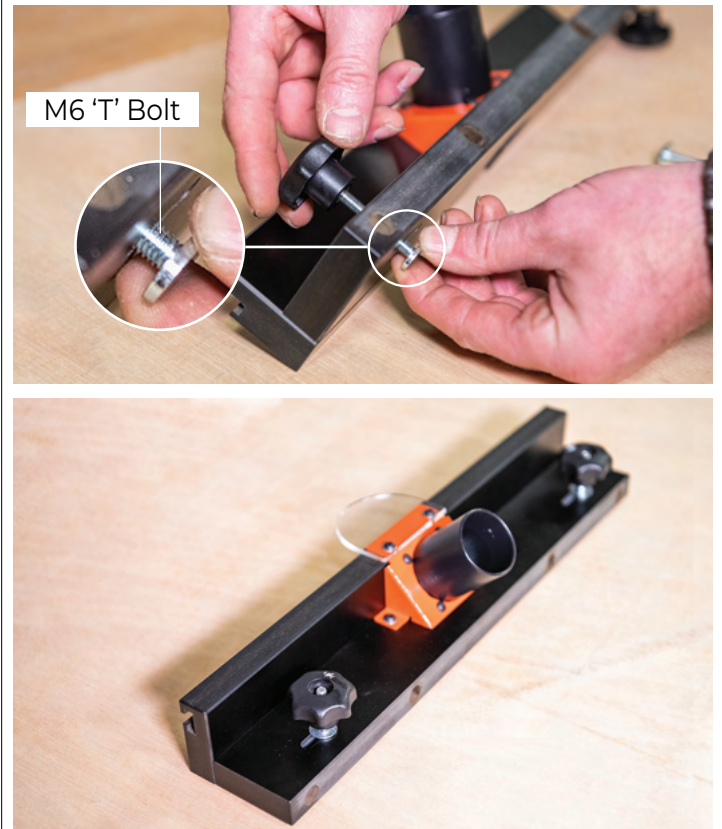


Fig 11-12



4. Lastly insert the 2 x M6 x 50mm T bolts through each of the slots from the underside and thread on the knobs and washers as shown, see fig 11-12.

5. Attach the fence to the router table by sliding the T bolts through the 2 table slots, this can be done from the front through the round entry holes or from the rear, see fig 13.

Fig 13



3. FITTING THE TRIM ROUTER

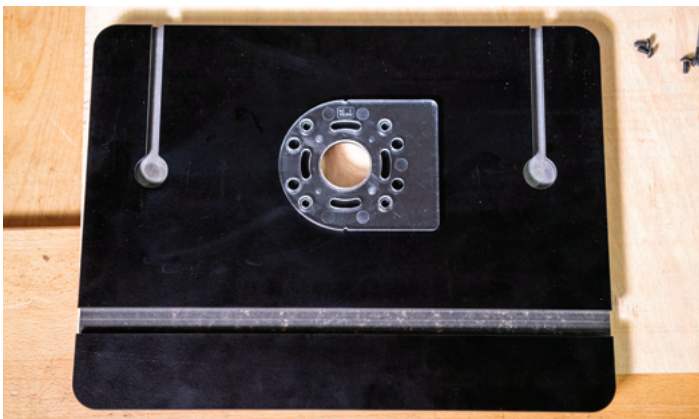
1. Remove the router / trimmer base plate taking note the location of the on/off switch, keep the screws as they can be used to mount the router to the table top, see fig 14.

Fig 14



2. Centralise the base plate to the router table top then mark the screw holes with a pencil or bradawl, see fig 15-16.

Fig 15-16



3. Drill the holes to suit the screws removed, countersink / counter bore from the top to sink the head of the screw just below the table top surface (do not drill too deep), this is best done with a pillar drill to control the drilling accuracy, see fig 17-18.

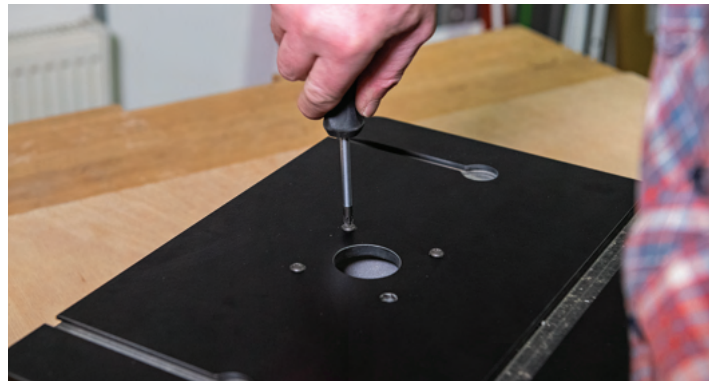
Fig 17-18



3. Fit the trimmer / router underneath the table with the on/off switch in a convenient position aligning the screw holes, tighten in place, ensure that the screw heads are just below the table top level, see fig 19.

4. If the router / trimmer base cannot be removed then a cardboard template can be made to help mark the screw holes, see fig 20.

Fig 19-20

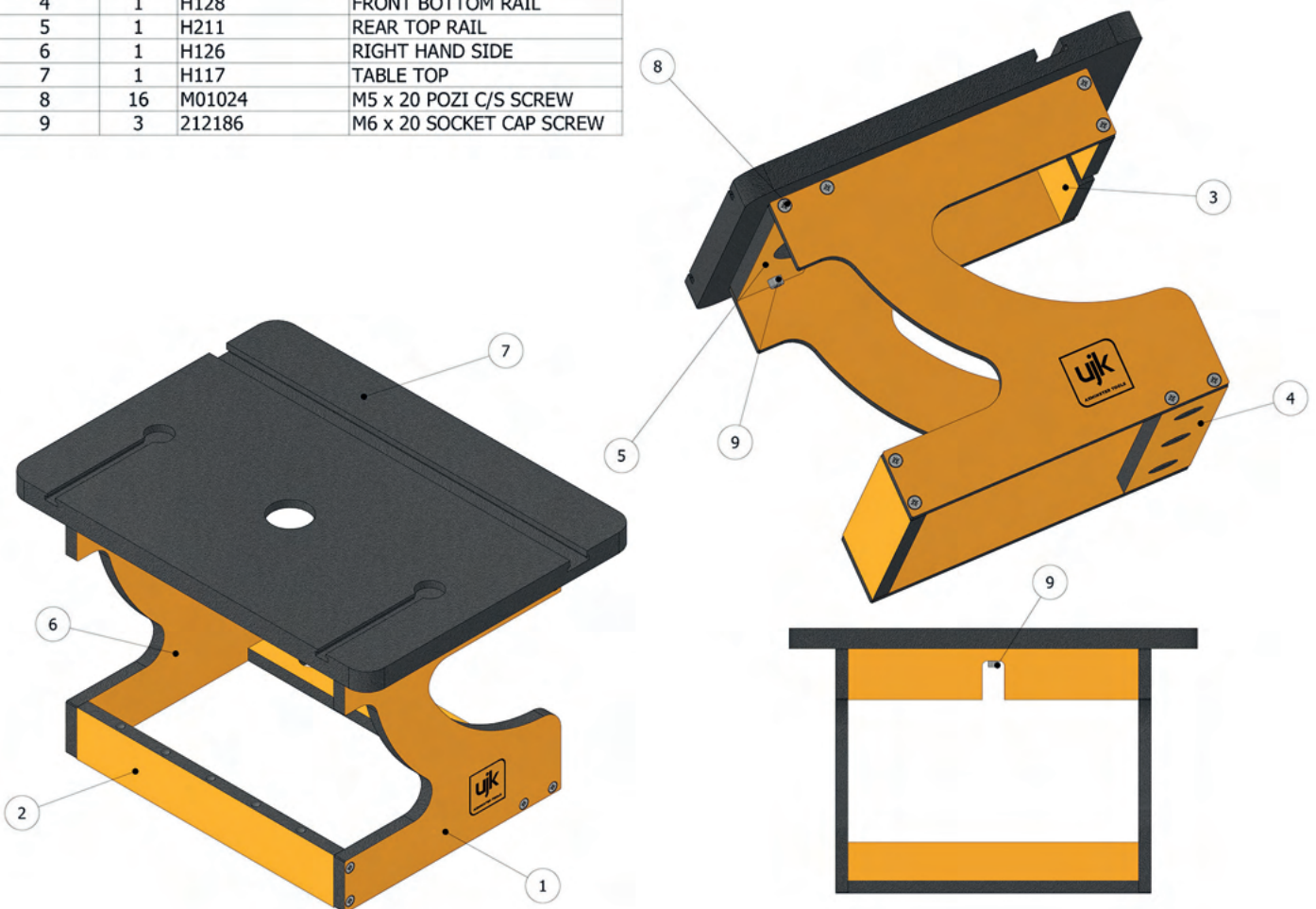


4. TIPS / GENERAL USE

- Always work with a steady, constant, medium rate. Feeding too slow will result in burn marks and excessive heat build up of the cutter, feeding too fast will overload the trim router & result in a poor finish on the timber.
- Better results will be gained by removing small amounts of material in several passes, instead of single heavy cuts.
- Always feed work against the cutter rotation direction, this gives the operator the control - from right to left.
- Always ensure that the cutter rotation speed matches the cutter, the Max rotation speed can be found on the shank of the cutter.
- Always isolate the router from its power source when changing cutters.
- Always use cutters that are sharp & in good condition.
- Always use push blocks or push sticks when routing small components.
- Never draw the workpiece back during cutting. Wait until the router bit stops before drawing back the workpiece.

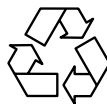
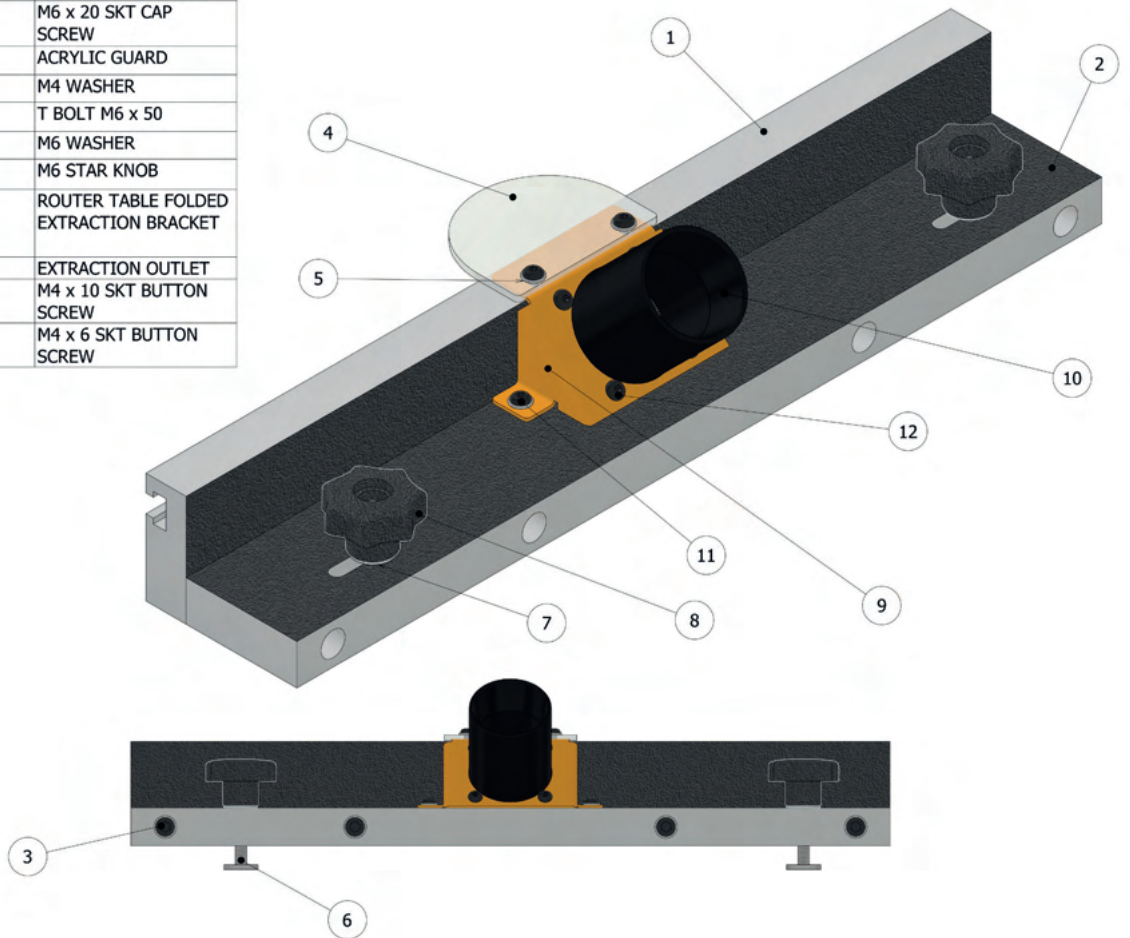
5. EXPLODED DIAGRAM

PARTS LIST			
ITEM	QTY	PART NUMBER	DESCRIPTION
1	1	H124	LEFT HAND SIDE
2	1	H127	REAR BOTTOM RAIL
3	1	H122	FRONT TOP RAIL
4	1	H128	FRONT BOTTOM RAIL
5	1	H211	REAR TOP RAIL
6	1	H126	RIGHT HAND SIDE
7	1	H117	TABLE TOP
8	16	M01024	M5 x 20 POZI C/S SCREW
9	3	212186	M6 x 20 SOCKET CAP SCREW



5. EXPLODED DIAGRAM

PARTS LIST			
ITEM	QTY	PART NUMBER	DESCRIPTION
1	1	H195	VERTICAL FENCE
2	1	H196	HORIZONTAL FENCE
3	4	212186	M6 x 20 SKT CAP SCREW
4	1	H212	ACRYLIC GUARD
5	4	503445	M4 WASHER
6	2	103411	T BOLT M6 x 50
7	2	M00042	M6 WASHER
8	2	ELT008133	M6 STAR KNOB
9	1	M00984 (Q79589)	ROUTER TABLE FOLDED EXTRACTION BRACKET
10	1	M00931	EXTRACTION OUTLET
11	4	M01017	M4 x 10 SKT BUTTON SCREW
12	4	M01016	M4 x 6 SKT BUTTON SCREW



Please dispose of packaging for the product in a responsible manner. It is suitable for recycling. Help to protect the environment, take the packaging to the local recycling centre and place into the appropriate recycling bin.

UJK, Axminster Devon EX13 5PH

ujktools.com