

306,00

92,00

114,50

229,00

8,00 TYP

8,00 TYP

8,00 TYP

R8 TYP

92,00

TAP M6 x 1 TYP

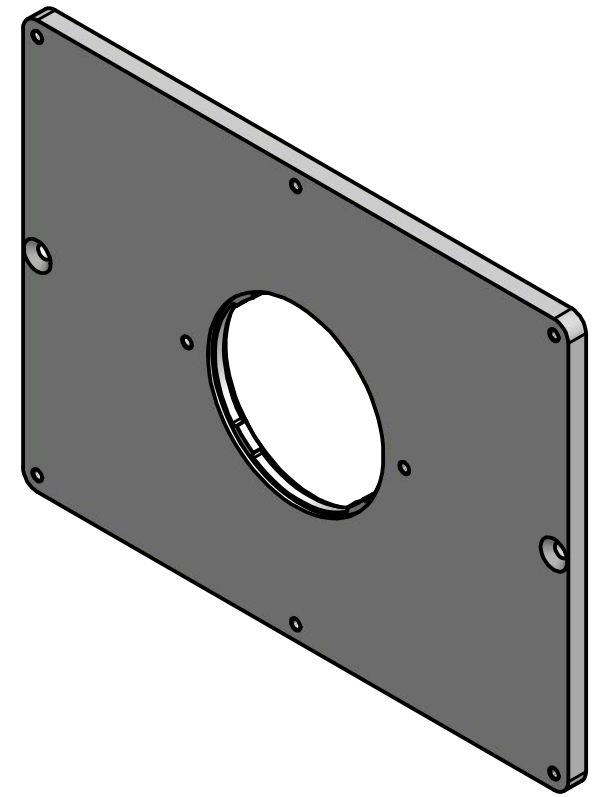
DRILL 7MM Ø C/S 15MM Ø

10,00

502748

6,00

502749



Designed by Mark Vincent	Checked by	Approved by	Date	Date 22/04/2016
D626		ROUTER PLATE		
			Edition	Sheet 1 / 1